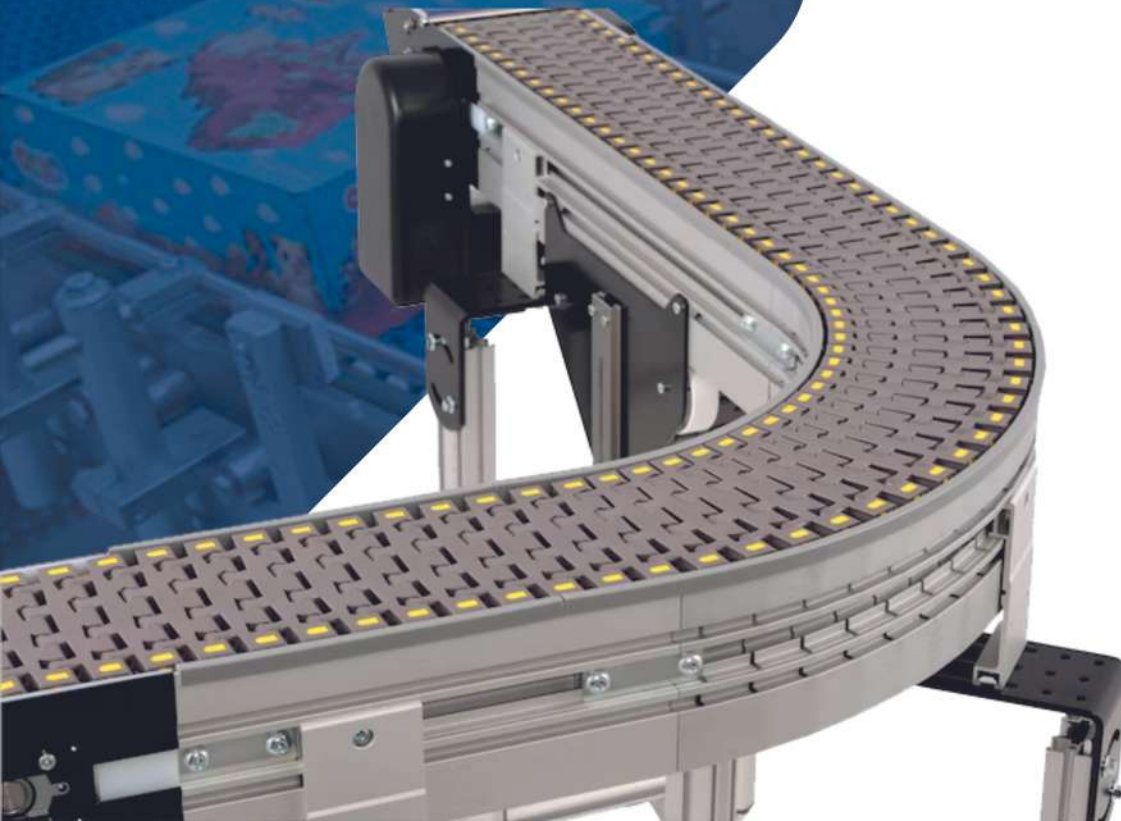


# Modular Conveyor



## Features:

When you need to convey high loads at high speed, modular conveyors suit you right. Made up of interlocked plastic segments, they can be replaced easily with minimum investment when needed.

## Specifications:

- **Std. Chain Width:** 2", 4", 6", 12", 18" and 24"
- **Material:** Mild Steel / SS
- **Wearstrips:** 1/8" Thick UHMW in Straights
- **Motor:** Bonfiglioli/ MGM Varvel
- **Speed:** As Per Requirement
- **Electricals:** Schneider
- **Chain Style:** Flat Top, Radius flush Grid, LBP Roller, Flat Friction

## Usage / Application

**FOOD, SPICES, DAIRY,  
PHARMA, ICE CREAM,  
COLD STORAGE  
AND WAREHOUSES**

Disclaimer: The specifications and image provided in this product catalog are general and subject to variation based on specific customer requirements. Changes may occur without prior intimation. For precise details, please refer to the technical layout provided with offer for exact specifications.