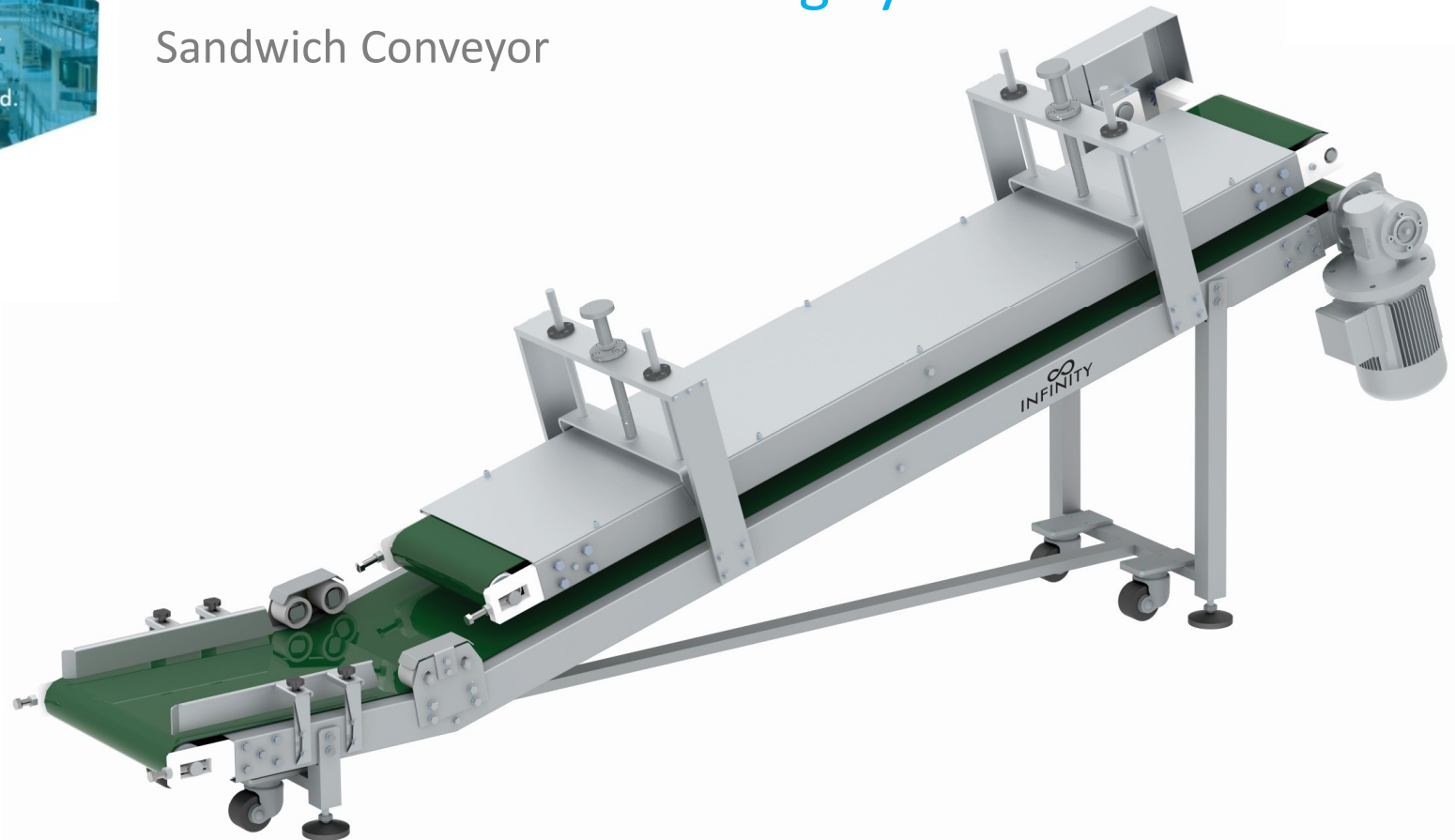




Sachet & Pouch Handling Systems

Sandwich Conveyor



It is used for removing the air from packed Pouches or to flattened the pouch filled with powder or granular products.

It has two conveyors, which can be adjusted through rotating wheel to adjust the pressure and gap between the two conveyors .

It is mostly used for big pouches of 2 kg ,5 kg ,or 10 kg to remove the air from pouch and flatten them for easy secondary packing and transportation.